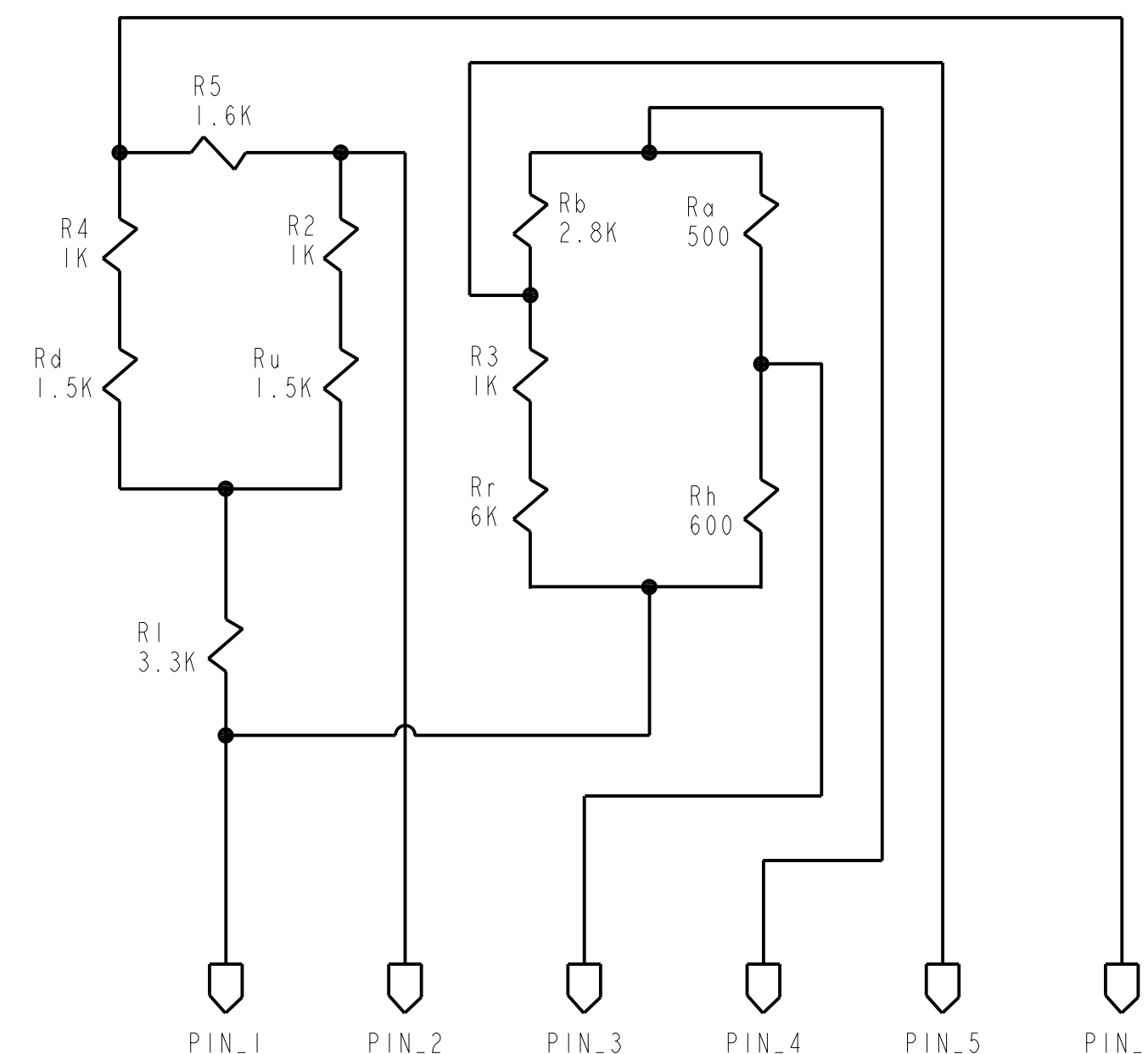


DETAIL A
SCALE 4:1



POWER SUPPLY (MIN/MAX)	8.0/15.0 VDC
RECOMMENDED EXCITATION	10 ± 0.01 VDC
OUTPUT LOAD	SINK 10mA SOURCE 20mA
NULL OUTPUT SHIFT: -25°C TO +85°C	.20mV
OUTPUT SHIFT: 25°C TO -25°C 25°C TO 85°C	+2.5% READING (MAX) -2.5% READING (MAX)
RAIOMETRICITY ERROR	±.3% READING
PEPEATABILITY & HYSTERESIS	±.50% READING (TYP)
TEMPERATURE RANGE OPERATING STORAGE	-25°C TO +85°C -40°C TO +125°C
TERMINATION	(.100" CENTERS) .025" SQUARE
SHOCK RATING (5 DROPS, EACH OF 6 AXES)	100g PEAK
OVERPRESSURE	150 PSI
MAX FLOW PULSE TO PREVENT DAMAGE	5 SLPM/SEC
TORQUE PER LUG	2 TO 6 IN LBS

OUTPUT VS FLOW		
FLOW (SCCM)	NOM (mVDC)	NOM (mVDC)
0	0.00	1.50
200	29.80	4.00
400	42.50	3.50
600	49.30	2.50
800	53.00	2.00
1000	55.20	2.00

PTC/CAD
 DRAWN
 GRT
 23 JAN 97
 CHECK
 PTC/CAD
 DRAWN
 GRT
 23 JAN 97
 CHECK
 REVISIONS
 ISSUE 1
 DRAWING NUMBER
 AWM42300V
 PAGE 1 OF 1
 RELEASE NO. PR-22391
 REPLACES

MASTER REDUCED
ANSI Y14.5M-1982 APPLIES

MICRO SWITCH
a Honeywell Division
FED. MFG. CODE 91929

MASS AIRFLOW SENSOR

AWM42300V

THIRD ANGLE PROJECTION
SCALE 2:1
DO NOT SCALE PRINT
UNLESS OTHERWISE SPECIFIED TOLERANCES ARE
ONE PLACE (.0) ±.030
TWO PLACES (.00) ±.015
THREE PLACES (.000) ±.005
ANGLES ±
WEIGHT